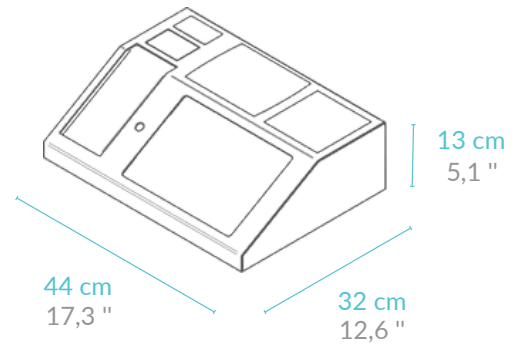


Technical specifications



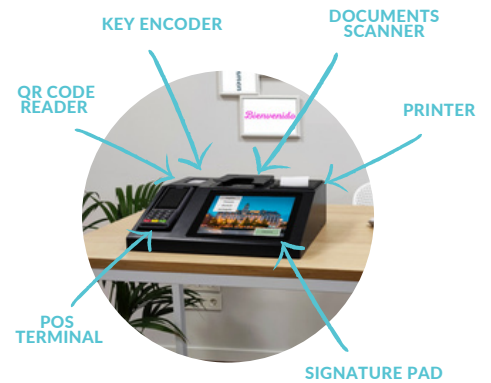
TECHNICAL DATA:

Shipping dimensions (H x W x D):	130 x 440 x 320 mm 5,1 x 17,3 x 12,6 inches
Unpacked dimensions (H x W x D):	130 x 440 x 320 mm 5,1 x 17,3 x 12,6 inches
Shipping weight:	20 Kg
Unpacked weight:	15 Kg
Cover material:	Acero lacado 2mm Opcional: acero AISI 304 or AISI 316



COMPONENTS:

Touch screen:	10 " capacitive technology Hardness > 7H.
Documents scanner:	Default: MRZ recognition. VIZ license available
QR code scanner:	1D and 2D code reader
RFID card dispenser:	8' mm thermal printer
Payment terminal:	Countertop payment device
PC:	Intel I3, 8G RAM, 128G SSD



ENVIRONMENT:

Temperature:	min: 0°C, max: 50°C non-condensing
Humidity:	min: 0, max: 95% non-condensing
Outdoor instalation:	Not available

ELECTRICAL CHARACTERISTICS:

Power consumption:	55 W
Ehternet:	RJ45 connector