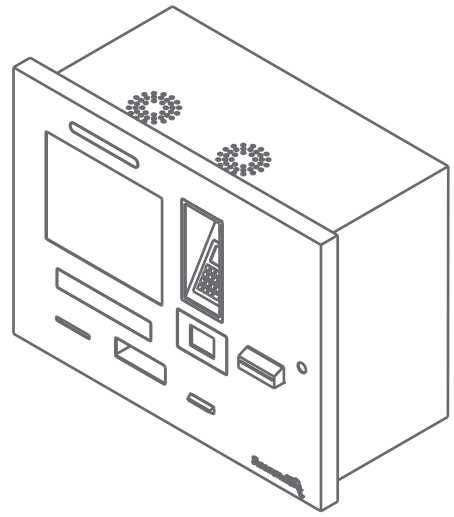
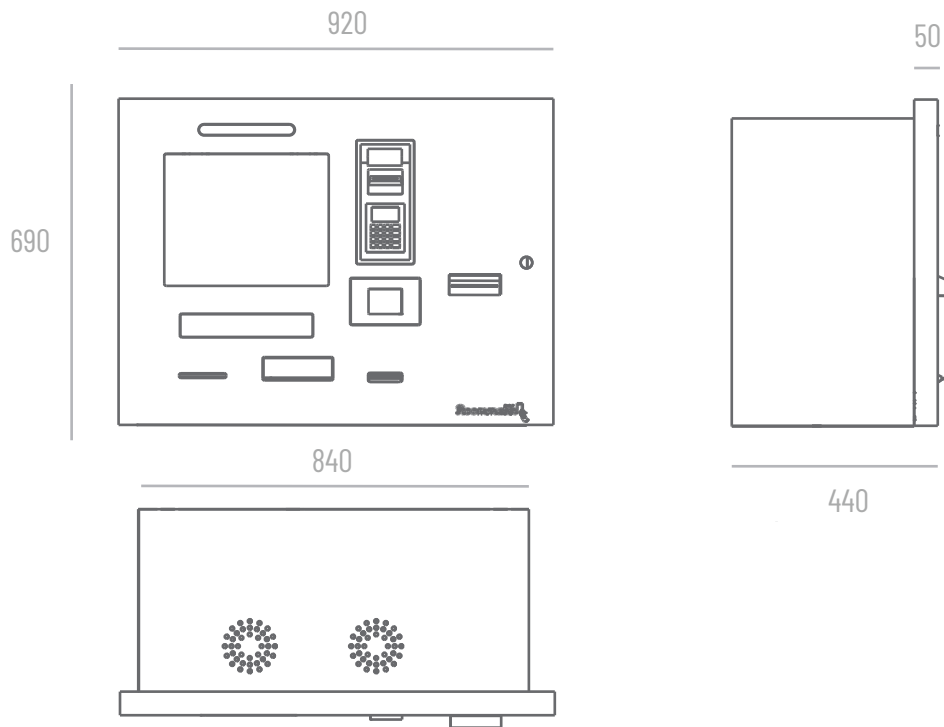


M
201



DIMENSIONS



INSTALLATION

